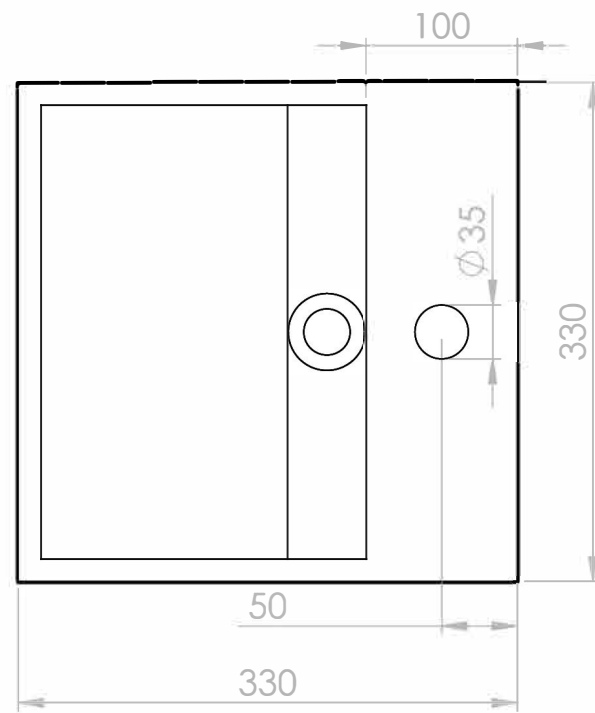
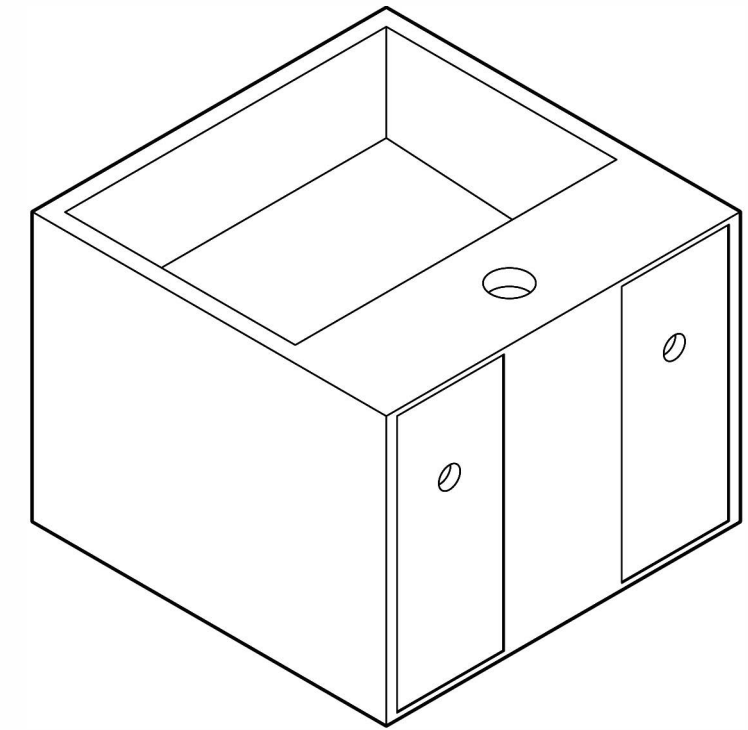
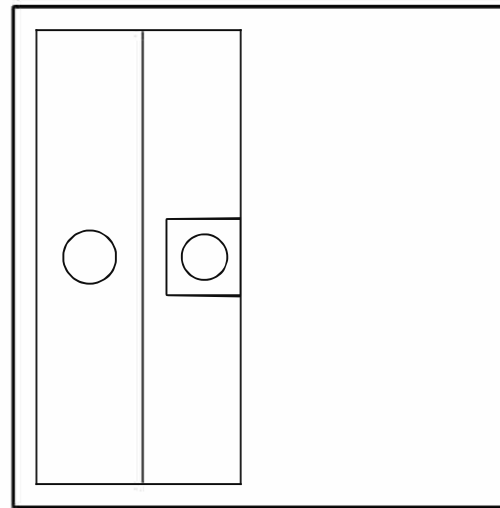


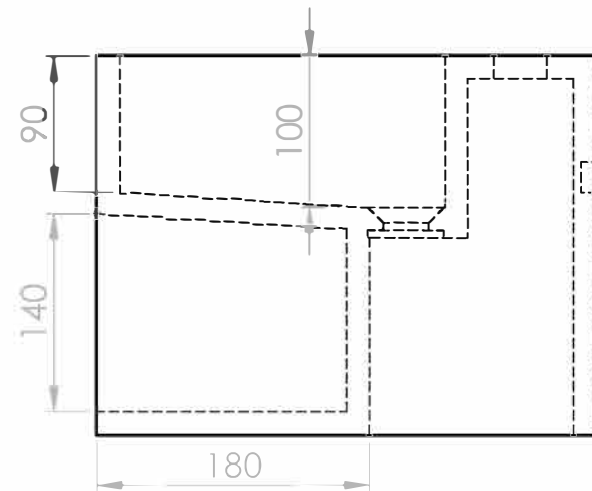
TOP VIEW



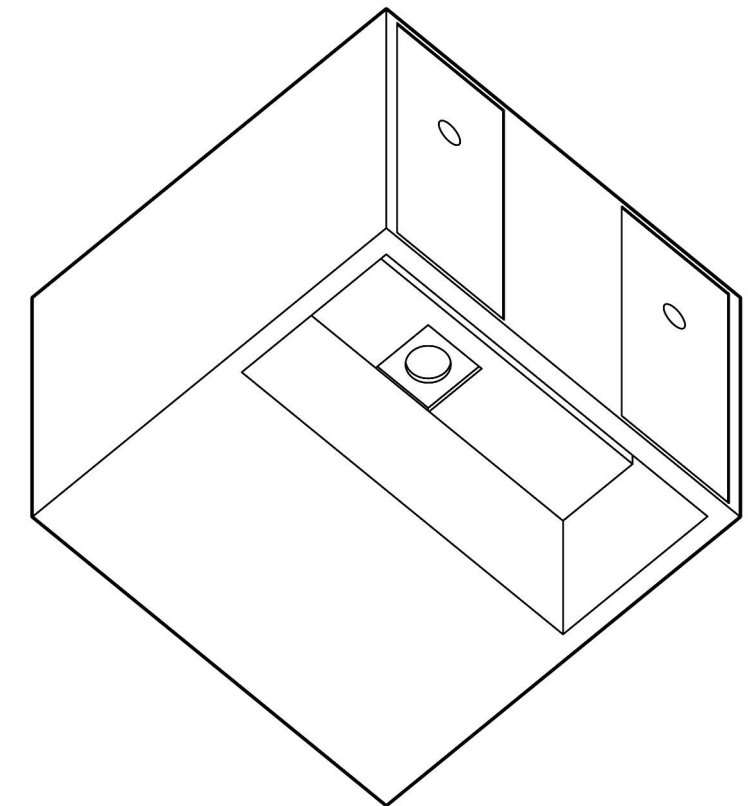
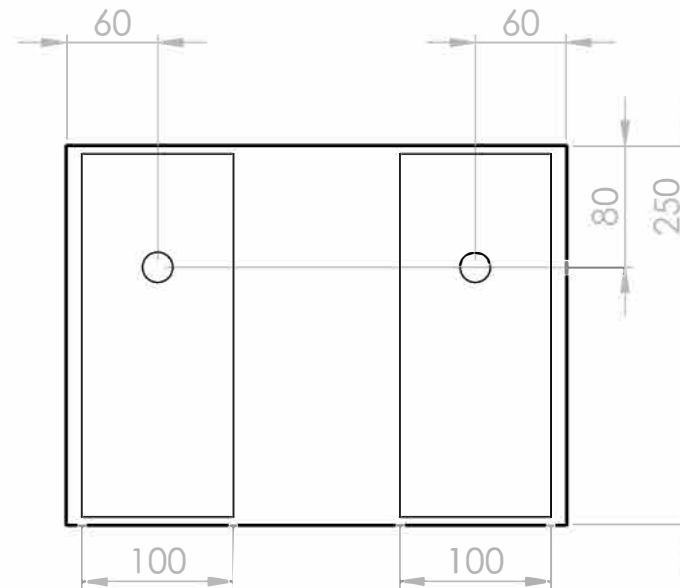
BOTTOM VIEW



SIDE VIEW



BACK VIEW



Qiline

Product Name	CELOSIA
Weight, kg	12
Material	Stone Resin
Size, mm	330 x 330 x 250

All dimensions provided in mm.